



Global Trigger *and* Global Muon Trigger

installation plans for Preveessin 904 setup

Manfred Jeitler

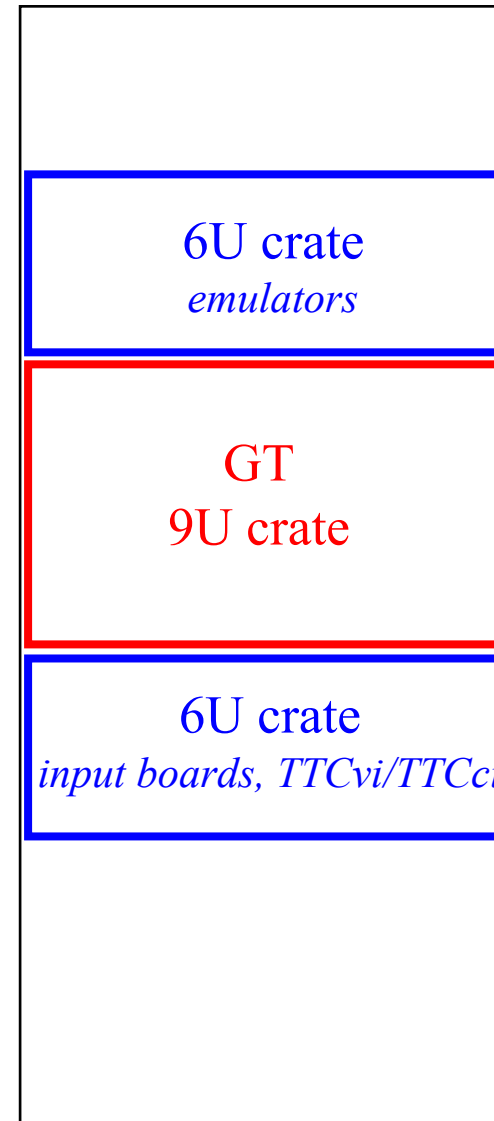
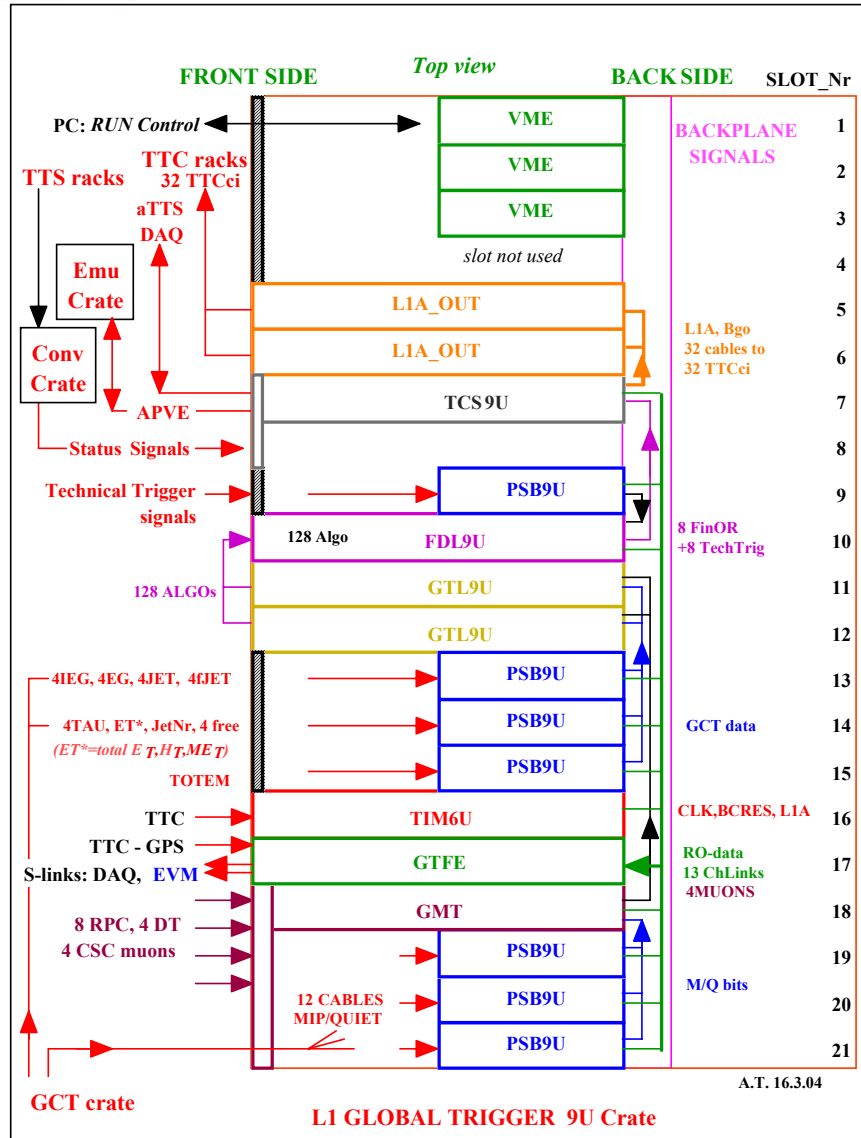
Anton Taurok

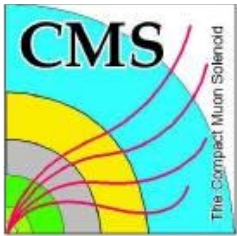
Claudia Wulz



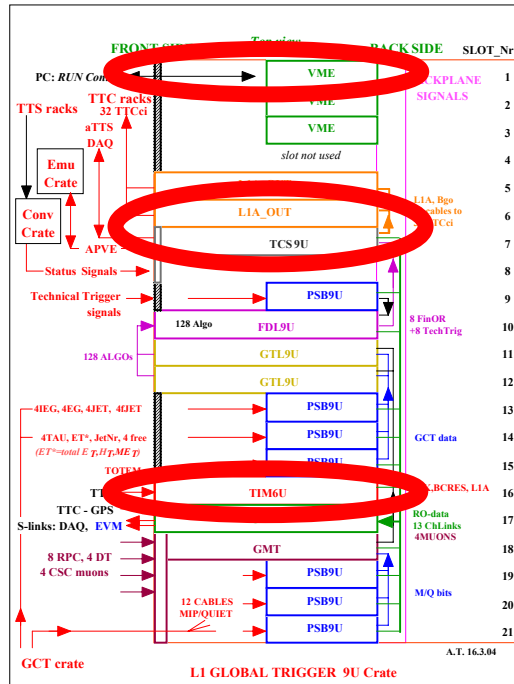
the global-trigger 9U crate

... in the global-trigger rack





first stage (end of March): TCS



in 9U crate:

- TCS (Trigger Control System)
 - main board
- L1A_OUT module
 - at least 1 of 2, to supply 16 detector partitions
- TIM6U Timing board (TTCrm version)
- crate controller (SBS)

in 6U crate:

- CONV6U
 - input conversion boards
- TTCvi (TTCci) / TTCex ...if not in TTC-crate
- crate controller (SBS)
- control PC



question

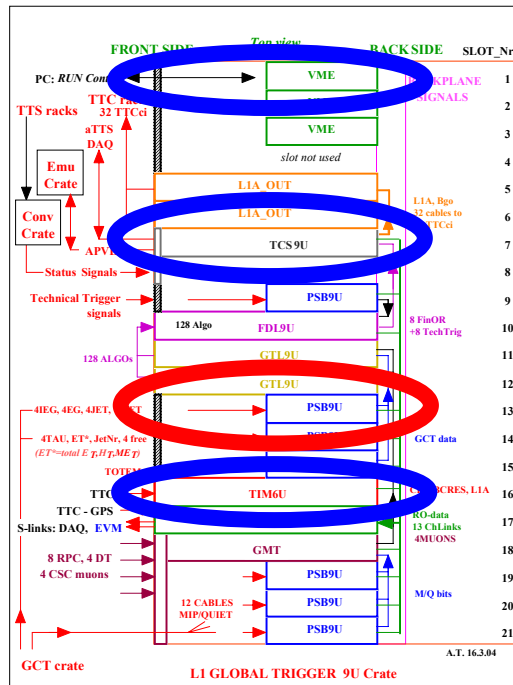


■ crate controllers

- We need **VME 6U** controller boards !!!
- are CAEN controllers already available ?
- what should one buy / get ?



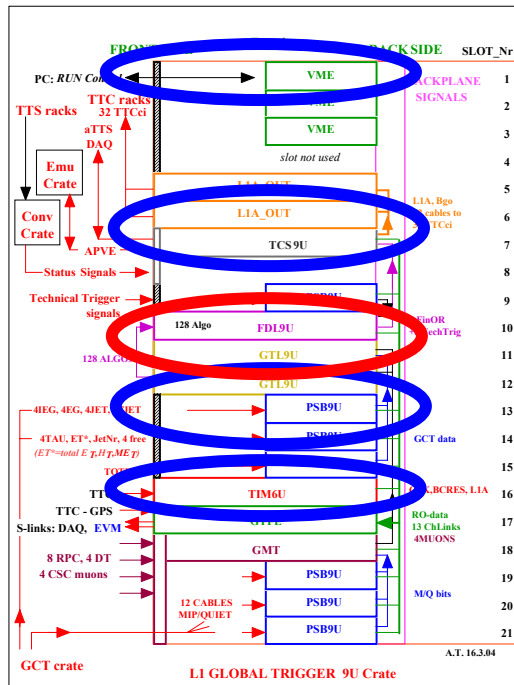
second stage (end of April): PSB



- install PSB board
 - receive data from GCT Global Calorimeter Trigger



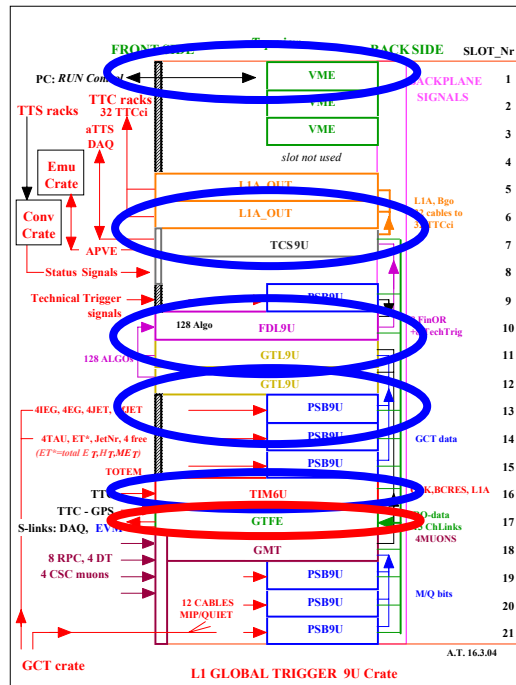
third stage (May): GTL and FDL



- GTL6U (global trigger logic) prototype
- FDL (final decision logic)
 - still hardware tests and software development in Vienna



other modules

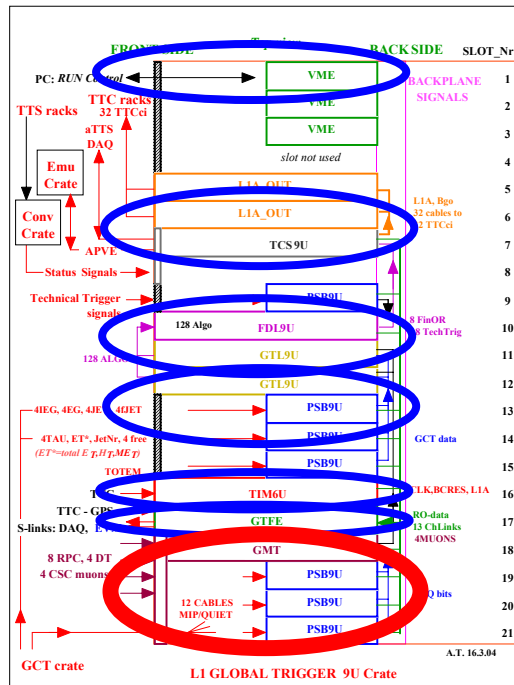


- GTFE
 - Global Trigger Front End
 - will get printed-circuit board in one week

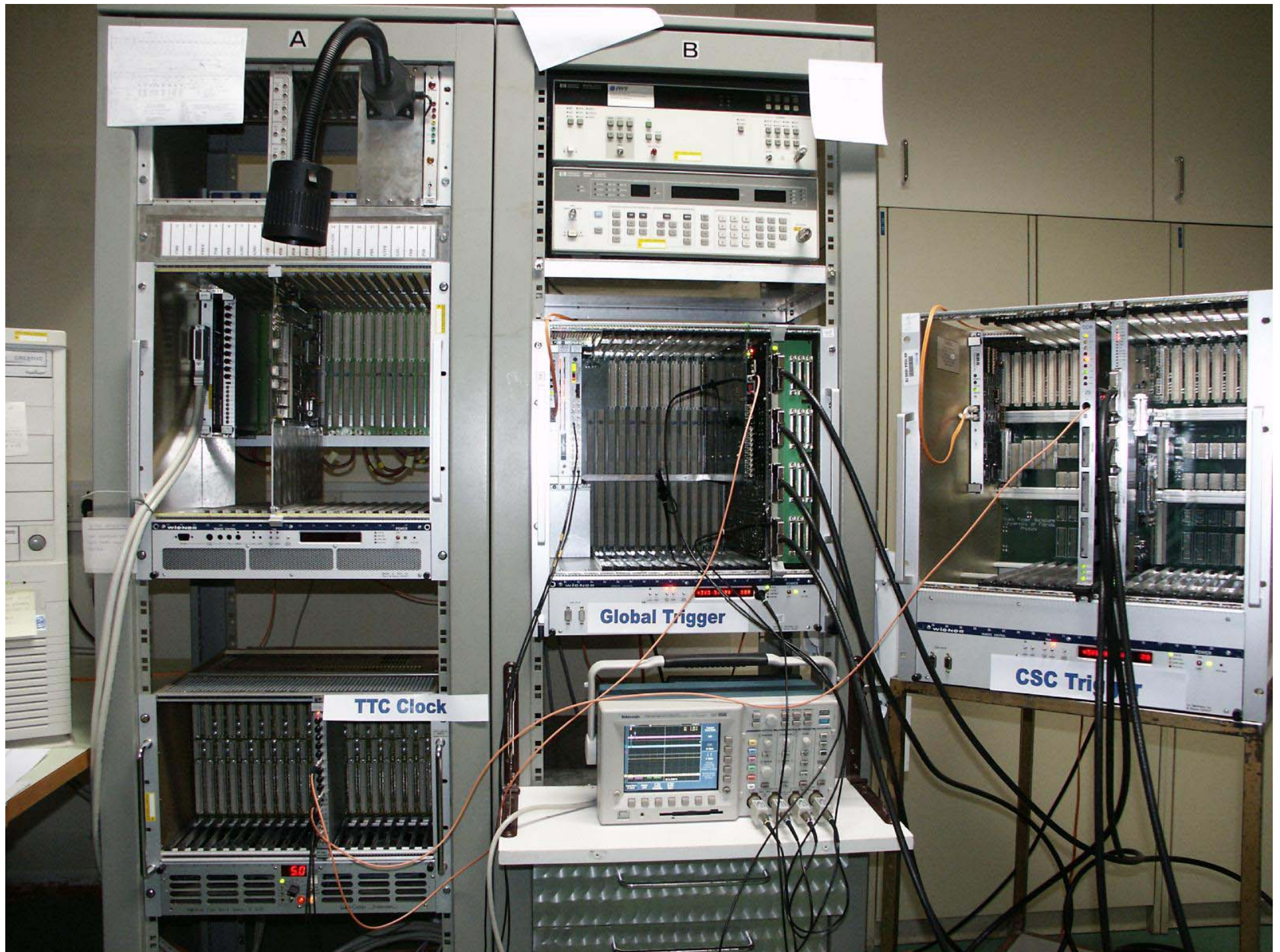
- GTL final version
 - finalizing schematics
 - start layout soon

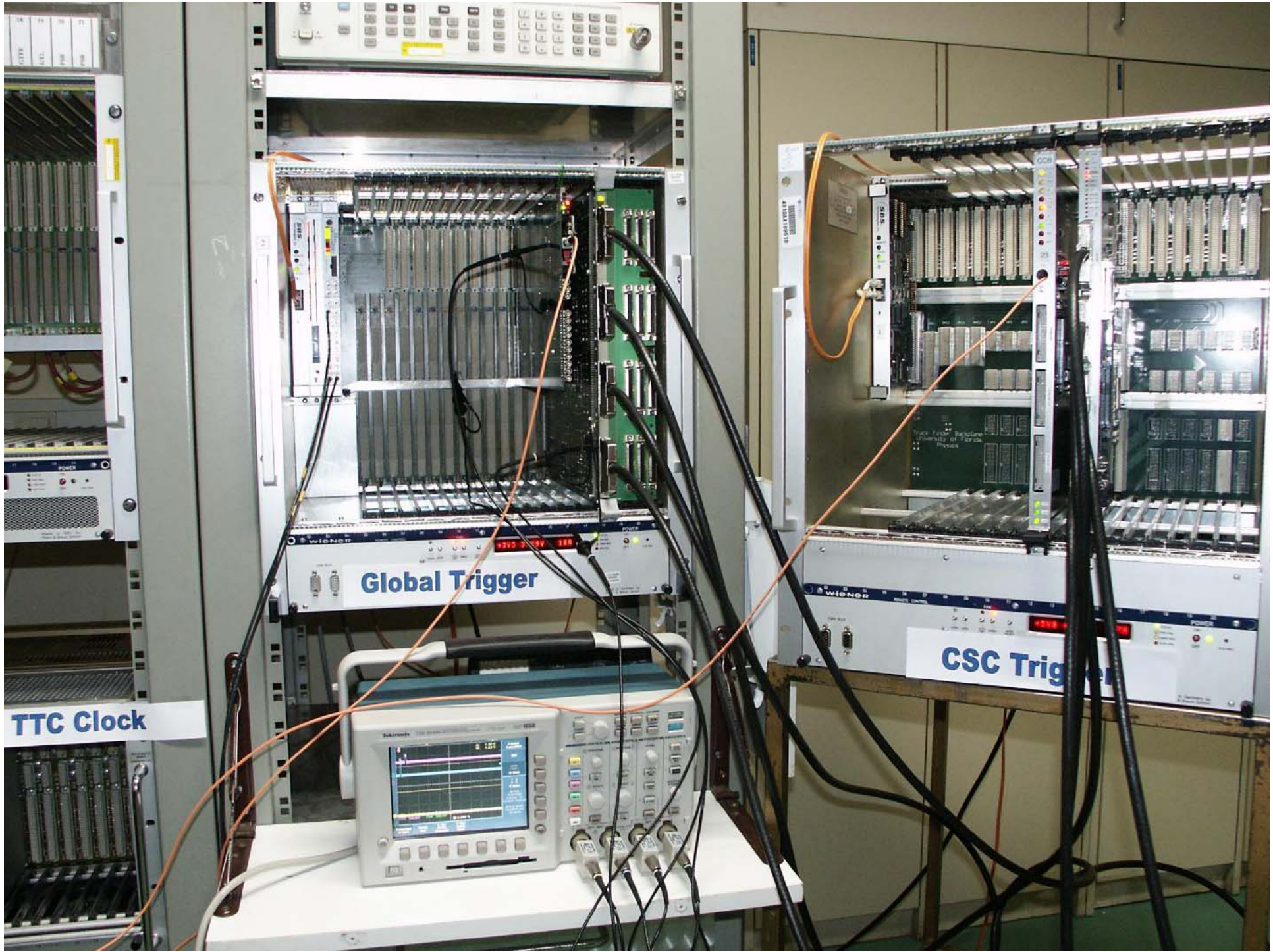


later: Global Muon Trigger



- integration tests with CSC in Vienna successful
- still hardware tests needed
 - GMT board sometimes shows bit errors
- plan integration tests with RPC and DTTF
- Hannes Sakulin left
 - have to transfer knowledge
 - successor: Ivan Mikulec
- would prefer to leave system in Vienna for some time
 - unless someone has important reason to get it to CERN soon





Global Trigger

CSC Trigger

TTC Clock

